

S12XPL-42/14 • S36XPL-115/35 • S72XPL-151/106

LUXTELLA LED STREET LIGHTS

The LEDLUX range are cutting edge tunable LED luminaires perfect fit for most Road lighting applications.

The design incorporates high lumen output Cree XPL chips driven by Philips Xitanium Dali drivers all contained within a robust IP66 housing.

Standard models come with Nema 7 multi-channel photo control receptacle that allows optional dimming functions including photocell or wireless sensor.

This European manufactured luminaire delivers exceptional performance that will at sametime substantially reduce operational costs in both energy use and in maintenance.

Different beam angles and tunable drive current mean that we can custom design light output to best suit road category or application.



TECHNICAL SPECIFICATIONS

Fixture/Part No.	S12XPL-42/14DC ⁽¹⁾	S12XPL-42/14 ⁽¹⁾	S36XPL-115/35 ⁽¹⁾	S72XPL-151/106 ⁽¹⁾
LED Power (W)	14-42	14-42	35-115	106-151
Total Power (W)	18-48	18-48	44-131	133-168
Lumen Output (Lm)	1750-4289	1750-4289	4800-13,950	15,350-20,650
Weight (kg)	4kg	4kg	7kg	7kg
LED Efficacy (fitting)	Fitting: 101 lm/W			
Optics	C-S Class (narrow throw) G-ME Class (more forward throw)**			
Input Voltage	12-24V DC	220-240V		120-277V
Maximum Current	4A @ 12V DC	0.2A*	0.57A*	0.73A*
Maximum Inrush Current	N/A	<9.6A		<14A
Power Factor	0.96			
Colour Temperature	4000K			
CRI	>70			
Working Environment	-40°C up to 55°C		-40°C up to 40°C	
IP Rating	IP66			
IK Rating	IK10 (Aluminium Housing)			
Wind Velocity	0.032m ²		0.043m ²	
LED Brand	Cree XPL			
Driver	Philips Xitanium LED driver			
Dimming Receptacle	Timer, DALI or 1-10V			
Heatsink	Anodised Aluminium			
Spigot	Ø60mm (Ø35 - Ø42 with adaptor)			
Optic Lens	100% UV resistant Polycarbonate lenses for high impact resistance			
Coating	Anodised Aluminium and Powdercoated Aluminium			
Calculated L70 (hrs)	134,000 hrs			
Colour	Silver			

*At 230V

⁽¹⁾ Add suffix for optics, regulation and NEMA socket inclusion

** Different optic options available on special request

APPLICATIONS

- City streets
- Highways
- Public parks
- Car parks
- Subdivisions
- Hospitals
- Corrections Facilities

MODEL SELECTION

Once you have chosen the LEDLUX model you require please choose the optics, regulation and NEMA socket options you require by simply adding the suffix.

AC MODELS

OPTICS	REGULATION	NEMA SOCKET
G = General	R = No Dimming	N0 = No NEMA Socket
C = Wider L-R spread	X = 1-10V Dimming	N7 = with NEMA7 Socket
	D = DALI Diming	
	T = Dimming on Timer	

DC MODEL

OPTICS	REGULATION	NEMA SOCKET
G = General	R = No Dimming	N0 = No NEMA Socket
	T = Dimming on Timer	

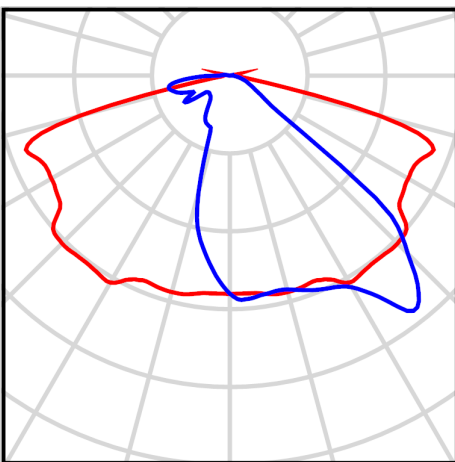
Example:

LEDLUX-S72XPL-151/106-GDN7

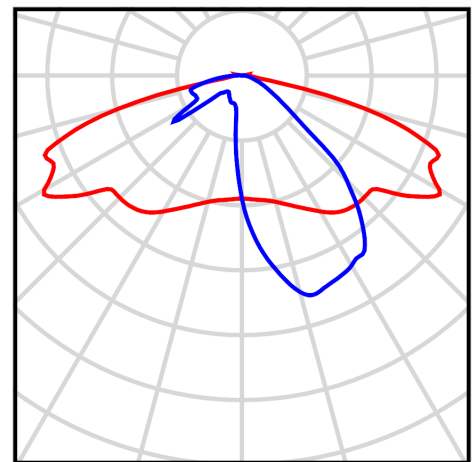


OPTIC OPTIONS

Optic G: optimised for ME road classes and wider roads

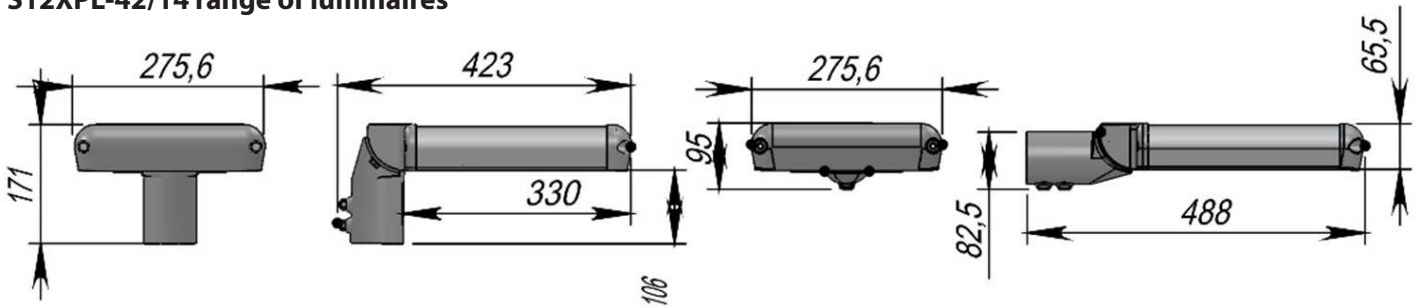


Optic C: optimised for S road classes and narrower roads

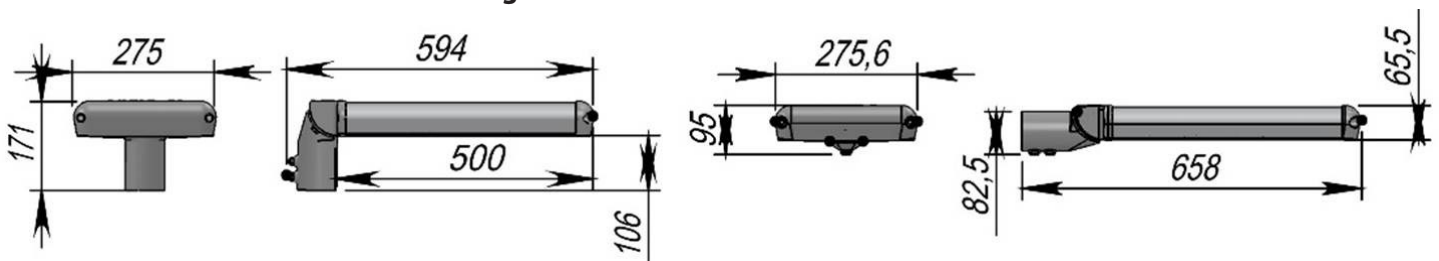


DIMENSIONS

S12XPL-42/14 range of luminaires



S36XPL-115/35 & S72XPL-151/106 ranges of luminaires



PRODUCT BENEFITS



- Pole top or side entry. 60mm pole connector as standard, 76mm and 35-42mm as an option.
- Possibility to change inclination from -15° up to +15° with step of 5°.
- Optionally equipped with connecting electrical cable.
- Housing made of Anodised and powdercoated Aluminium to ensure long term environmental protection against all weather conditions. RAL 9006 available on request.
- All screws are made of stainless steel.
- All gaskets are made of ozone and UV resistant silicone for IP66 protection.
- Certified for IK10.
- Polycarbonate lenses ensure high impact resistance.
- Special lens material that is 100% UV resistant to protect against yellowing over time.
- Photometric files are available on request.

LED DRIVER



PHILIPS



- Up to 99% driver efficiency at full load with Philips Xitanium led driver.
- 6kV surge protection as standard, 10kV protection available on request.
- Protection class I
- Dimming options: Timer, DALI or 1-10V

LED CHIP



High efficiency Cree LED type XPL, ensures long life and one of the highest lm/W efficiency in industry.

APPROVALS

